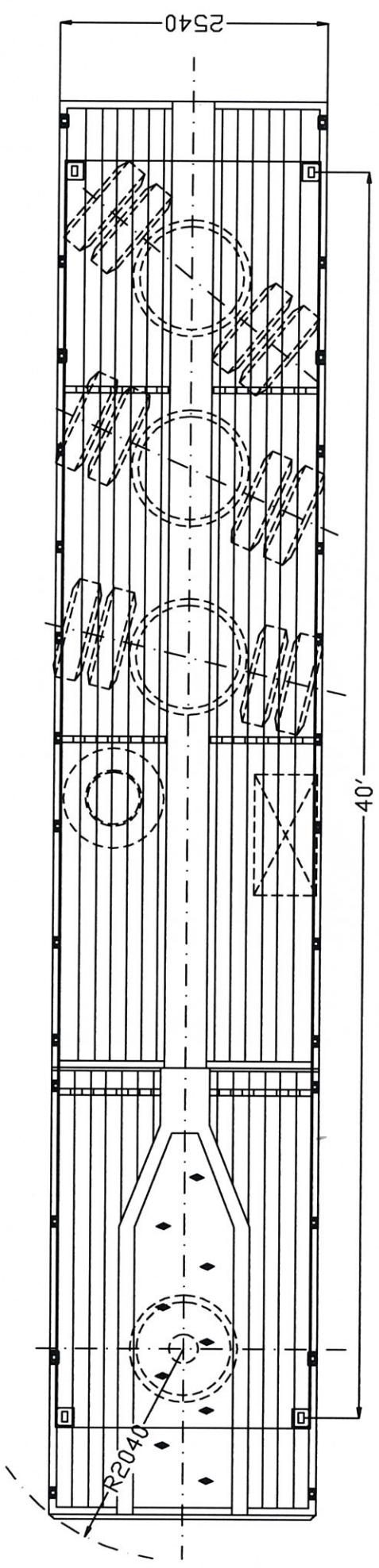
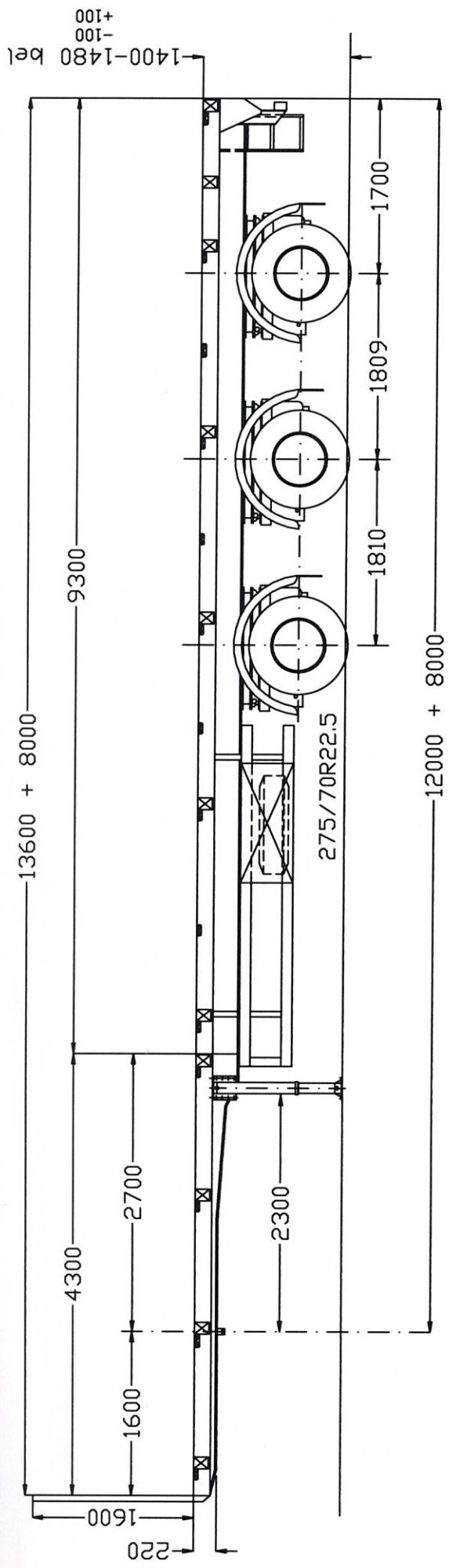


C-ment  
 3ettin  
 1.J.M.  
 nents  
 Team  
 SMV  
 p13  
 1705  
 855C  
 2864  
 le-Z  
 1-13.6  
 -2.54  
 nsen  
 930  
 530  
 530  
 530



Adriaensen Ch-10930

52692		Tele-Z-3L-A	
gez.	28.09.10	H.Luc	
gepr.			
18-13.60-22.5-2.54		Schwarzenbach 12 B-4760 BOLLINGEN	
Tel.: ++32/80/640 155 Fax: ++32/80/640 151		Telemax	

